



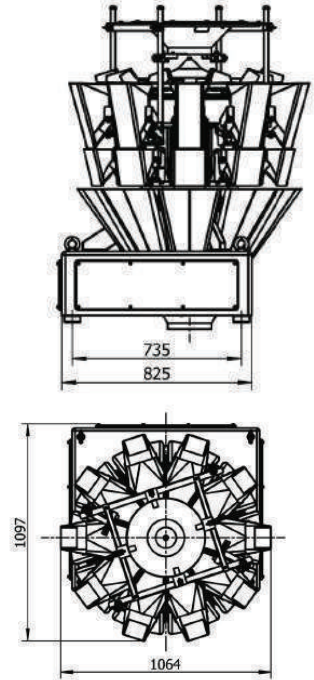
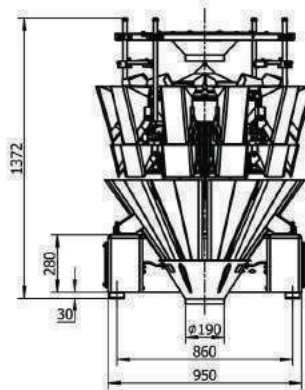
**TARGET**  
PACKAGING  
SYSTEMS LTD

PRECISION    QUALITY    RELIABILITY



**4 Major Improvements**

- \* Five more functions added
- \* More elegant appearance
- \* Waterproof level IP66
- \* More stability and efficiency on vibration



**M1000 - G3 (IP66 Waterproof)**

<b>Version</b>	2012
<b>Waterproof</b>	IP66
<b>Weigher Range</b>	10g - 3,000 / 5,000g
<b>Accuracy</b>	0.5g - 2g
<b>Max. Speed</b>	75 WPM
<b>Power Supply</b>	220V, 50/60Hz, 1.5kw
<b>Hopper Volume</b>	1.3L / 2.5L
<b>Monitor</b>	10 inch colour touch screen
<b>Dimension (mm)</b>	1064 x 1097 x 1672



**EUROWEIGH MULTIHEAD**  
M1000 - G3 (IP66 - Waterproof)