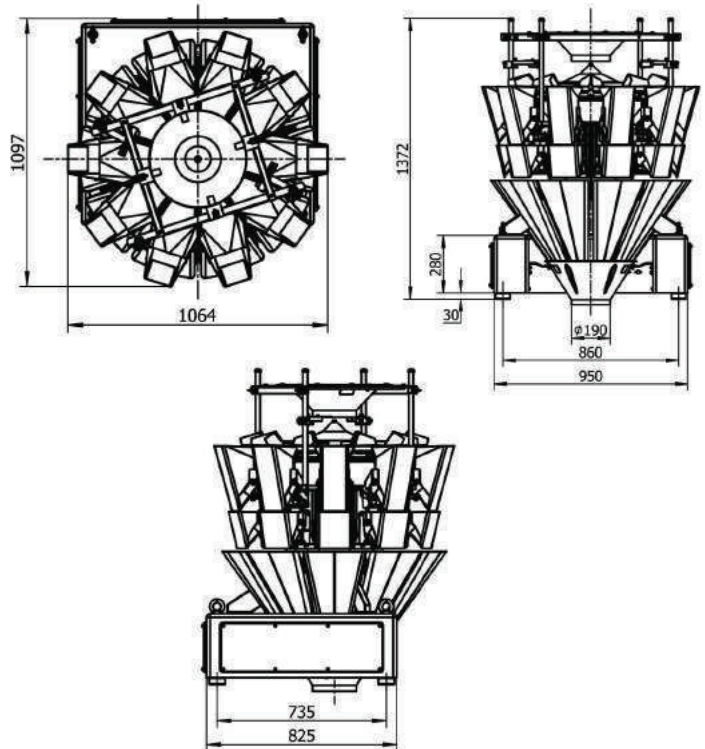




TARGET PACKAGING SYSTEMS LTD

PRECISION QUALITY RELIABILITY



M1000 - G3 High Speed

Version	2012
Weigher Range	10g - 3,000 / 5,000g
Accuracy	0.5g - 2g
Max. Speed	75 WPM
Power Supply	220V, 50/60Hz, 1.5kw
Hopper Volume	1.3L / 2.5L
Monitor	10 inch colour touch screen
Dimension (mm)	1064 x 1097 x 1672



EUROWEIGH MULTIHEAD
M1000 - G3 High Speed