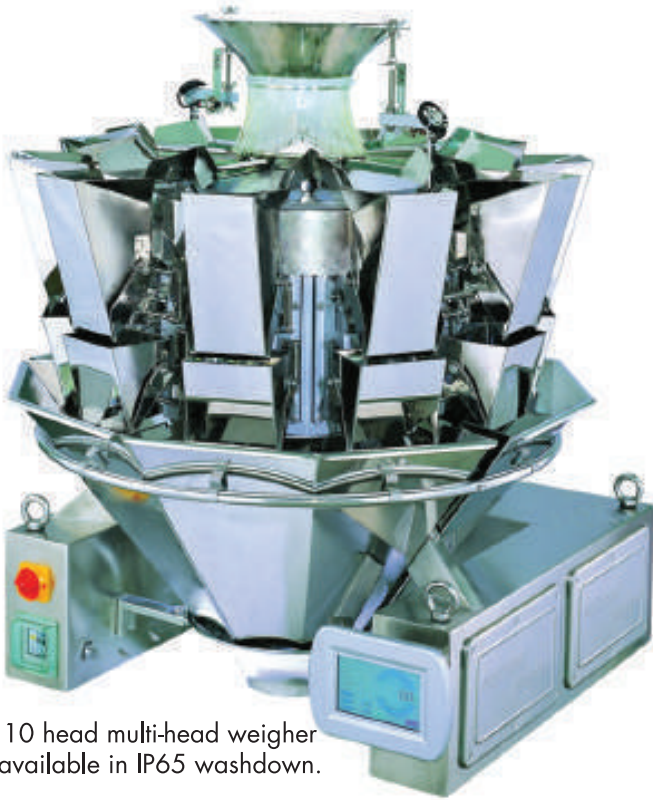


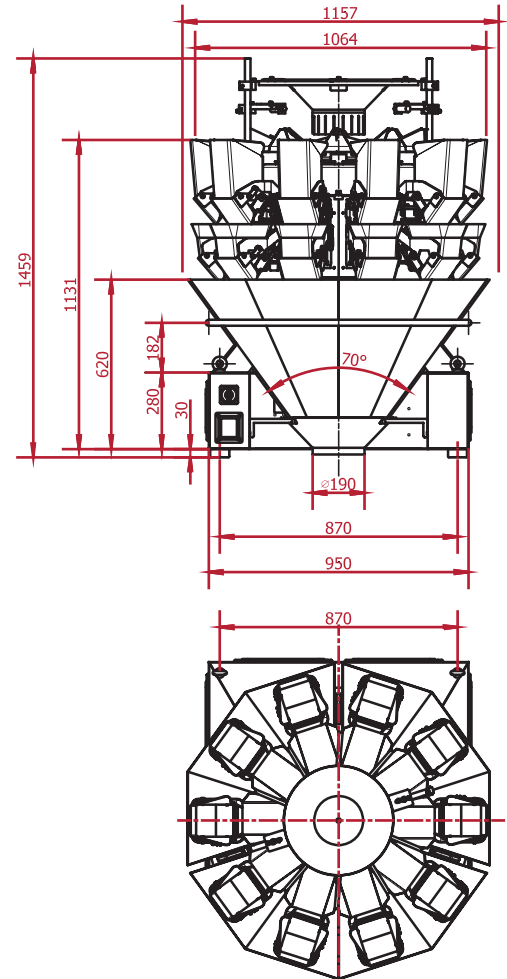


# TARGET PACKAGING SYSTEMS LTD

PRECISION    QUALITY    RELIABILITY



10 head multi-head weigher  
available in IP65 washdown.



## Technical Data

EUROWEIGH M1000 - G2	
Packing Speed	Up to 60 bags/min
Number of Heads	10
Hopper Volume	1.3 or 2.5 Litre
Monitor	10.4" HMI
Power Supply	220V 50 Hz / 60 Hz 2kw
Machine Dimensions	950 x 850 x 1330mm
Accuracy	1 gram +/-



## EUROWEIGH MULTIHEAD M1000