



TARGET
PACKAGING
SYSTEMS LTD



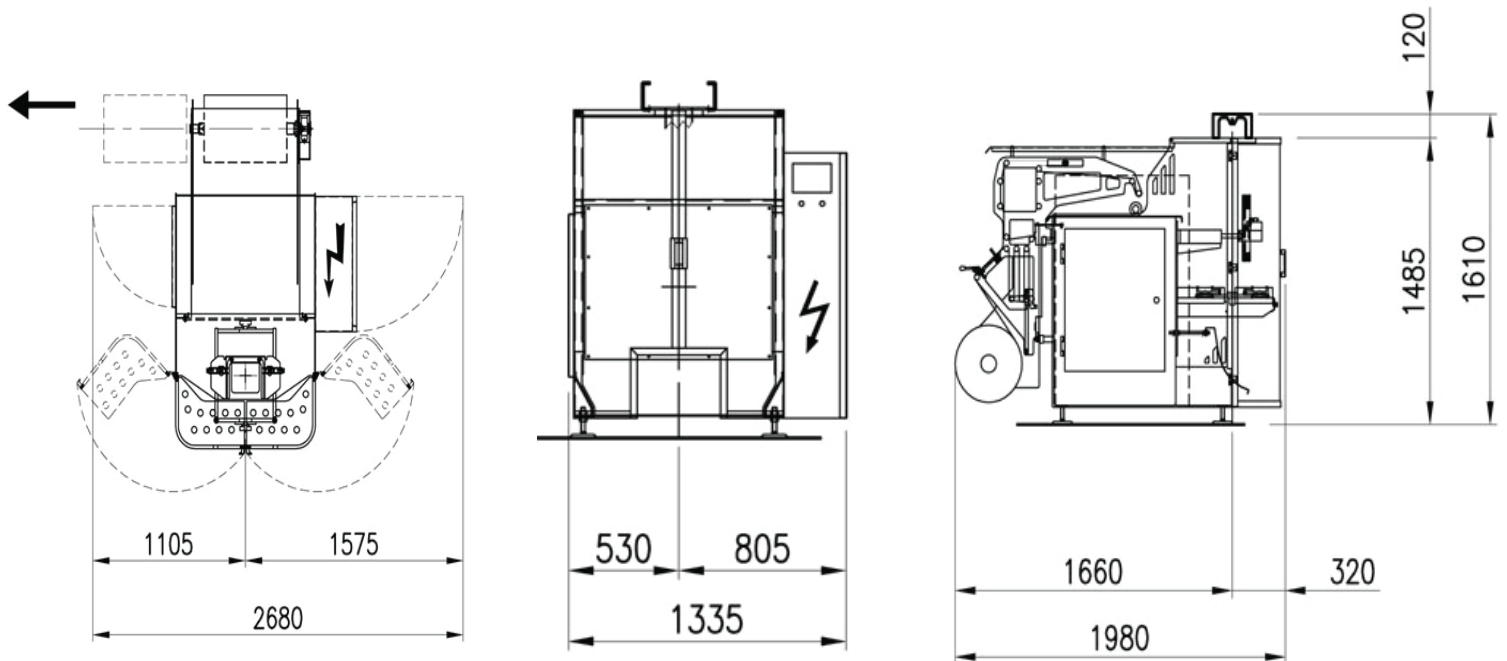
MARTINI MX 600 QUAD PACK



TARGET

PACKAGING
SYSTEMS LTD

Products	Granular products (pasta, rice, snacks, dry fruit, candies, coffee grain)
Film Sizes	min 150 mm - max 600 mm
Maximum Roll Outer Diameter	400 mm
Inner Core Diameter	min 70 mm - max 80 mm
Power Supply	3 phase AC 220V, 230V, 240V, 380V, 400V, 415V, 440V -50/60 Hz
Allowable Voltage Fluctuation	+ / - 10%
Installed Power	5.1 kw Pneumatic Version 7.4 kw with Servo Motor
Environmental Noise Level	Lower than 80 dB
New Weight	700 kg
Operational Temperature	5 - 45 C



MARTINI MX 600 QUAD PACK